

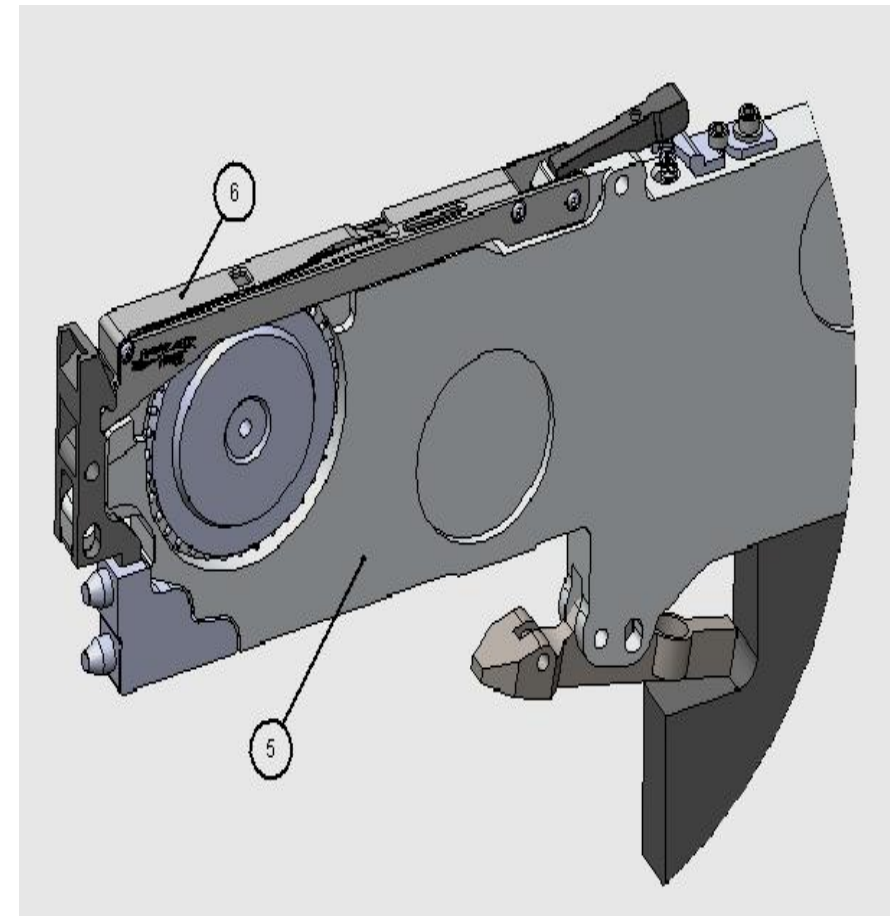
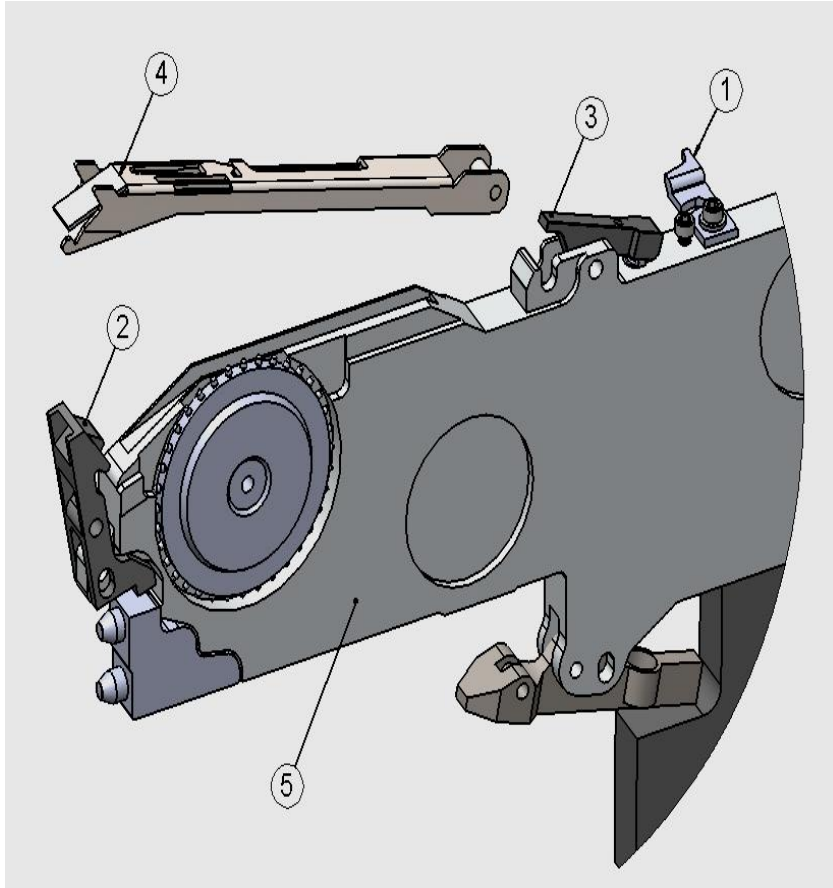


YS / SS Feeder / Tape Guide Removal / Installation

Follow the instructions below to install the Feeder Finger correctly.

1. Loosen the hold-down screw a ¼ turn and slide the Retaining Tab (1) to the right.
2. Unlatch the Tape Guide Clasp (2) to release the Tape Guide.
3. Press down on the Retaining Clip (3)
4. Lift the Original Tape Guide (4) away from the Feeder Body (5).
5. Install the Feeder Finger (6)
6. Return the Retaining Tab (1) to the start position and tighten the screw
7. The Feeder Finger is ready to use.

*See backside for use instructions





How to use the Feeder Finger Solution with Yamaha YS / SS / ZS Feeders

The Feeder Finger can be used to feed cut Component Tape as short as five inches or a full reel.

1. Before loading Component Tape into the Feeder Finger cut the tape thru the sprocket hole, this will allow the tape to engage the sprocket easily.
 - a) When loading short segments of Component Tape, unlatch the Feeder Finger and place a strip of tape onto the tape guide, close and latch the Feeder Finger.
 - b) Using the Tape Push Tool and sprocket holes to push the tape until the tape reaches the tip of the blade.
 - c) Use your index finger to guide the tip of the blade between the Cover Tape and Carrier Tape. **(It is best to load the feeder when it is not under power)**
 - d) Continue pushing the Component Tape until the tape is fully engaged with the sprocket and the first component is at the opening.
 - e) Your feeder is now ready to use, place it on your pick and place or feeder cart.

When loading a full reel of components follow these steps:

2. Before loading component tape into the Feeder Finger cut the tape thru the sprocket hole, this will allow the tape to engage the sprocket easily.
 - a) Feed the Reel of Component Tape thru the natural path of the feeder.
 - b) When the Tape reaches the rear of the Feeder Finger use the Tape Push Tool and sprocket holes to push the tape until the tape reaches the tip of the blade.
 - c) Use your index finger to guide the tip of the blade between the Cover Tape and Carrier Tape. **(It is best to load the feeder when it is not under power)**
 - d) Continue pushing the Component Tape until the tape is fully engaged with the sprocket and the first component is at the opening
 - e) Your Feeder is now ready to use, place it on your pick and place or feeder cart.

***We cannot guarantee that all component tapes will work with this product. Component tape with the cover tape sealed into the pocket will not work well with this product.**