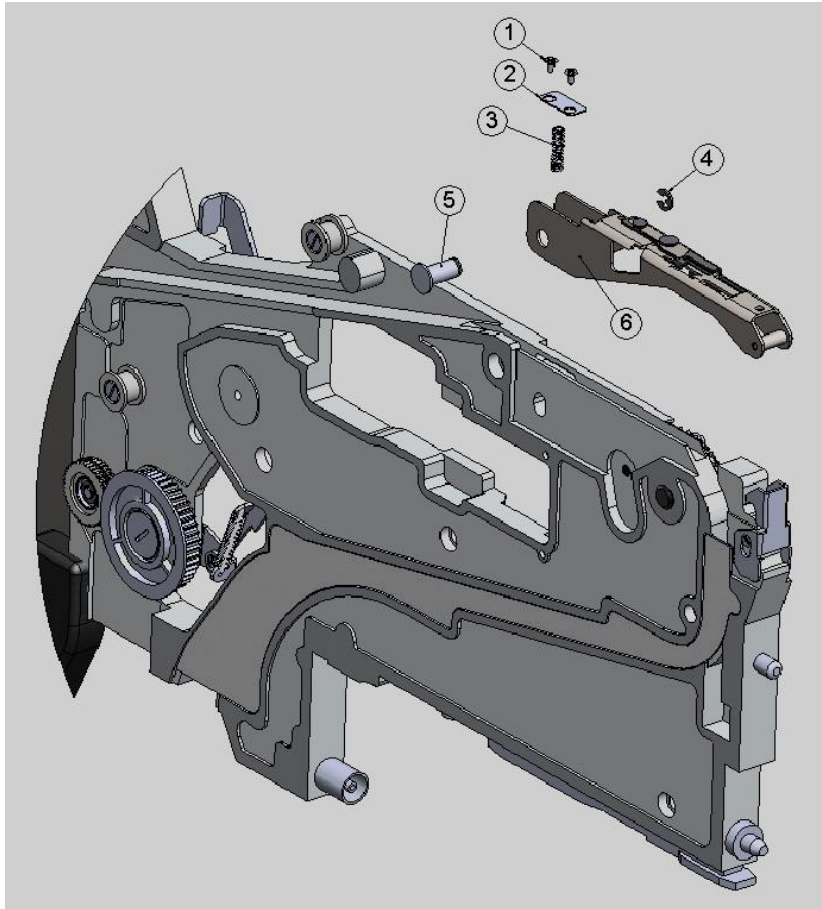




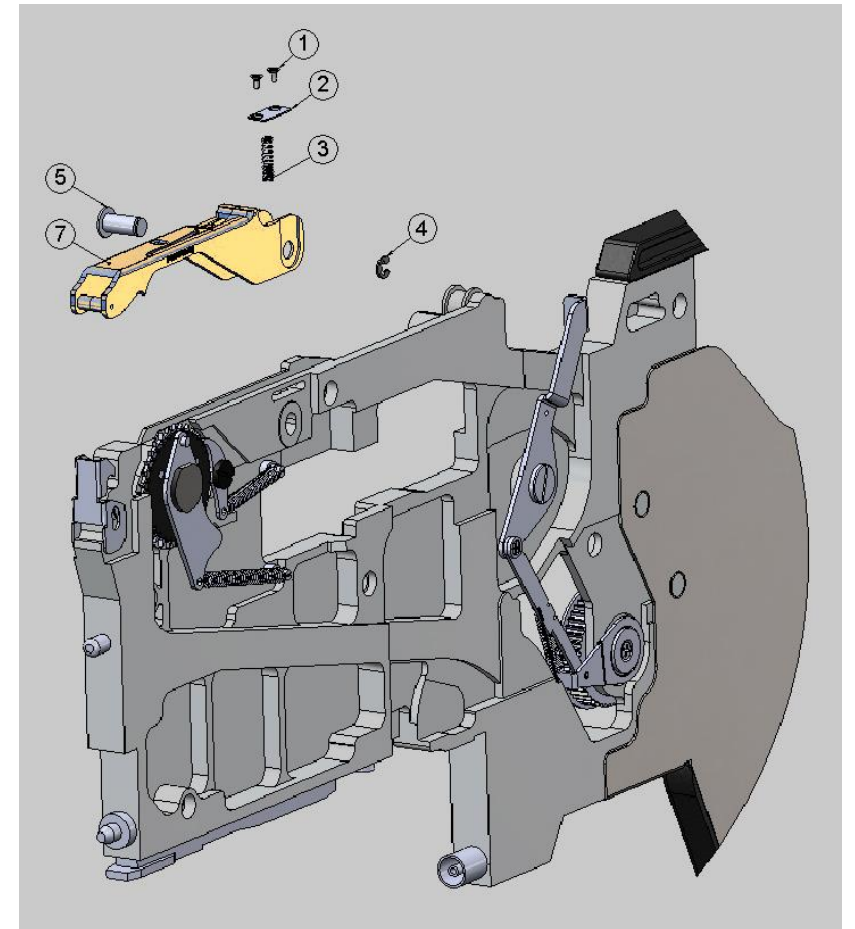
SME Feeder / Tape Guide Removal / Installation

Before installing the Feederfinger, it is important to follow the instructions with care to prevent the loss of feeder parts.

1. Remove the two Philips head screws (1) and spring retaining plate (2) On the top surface of the feeder. Hold the spring loaded plate in place to prevent the spring (3) from escaping the feeder body.
2. Slide the retaining plate (2) thru the slot on the right side of the feeder being careful to retain the spring (3)
3. Remove the spring (3).
4. Remove the E-clip (4) that holds the retaining pin (5) and Tape guide (6) to the feeder body.
5. Lift the original tape guide (6) from the feeder.
6. Install the Feeder Finger (9) in reverse order
7. Place the E-clip (4) back onto the retaining pin (5).
8. Insert the spring (3) pushing it even with the top surface of the Hole using a small Philips Head Screw Driver.
9. While holding the spring in place insert the spring retaining plate (2) Thru the slot on the right-hand side of the feeder body.
10. Hold the retaining plate in place while screwing down the two Philips Head Screws.
11. *Remove the cover tape tension spring*



TAPE GUIDE REMOVAL



FEEDER FINGER INSTALLATION

How to use the Feeder Finger with the Samsung SME Electric Feeders

The Feeder Finger can be used to feed cut Component Tape as short as three inches or a full reel without a leader.

1. Before loading Component Tape into the Feeder Finger cut the tape thru the sprocket hole, this will allow the tape to engage the sprocket easily.
 - a) When loading short strips of Component Tape slide the tape thru the rear of the Feeder Finger until it reaches the tip of the blade.
 - b) Use your index finger to guide the tip of the blade between the Cover Tape and Carrier Tape.
 - c) Use the Tape Push Tool provided to push the Component Tape using the sprocket holes.
 - d) Push the Tape with the Tool until the Tape reaches the sprocket.
 - e) With the feeder NOT under power push the tape onto the sprocket.
 - f) Apply power and index the component to the pick window.
 - g) Place the feeder onto your pick and place or feeder cart

When loading a full reel of components follow these steps:

2. Before loading component tape into the Feeder Finger cut the tape thru the sprocket hole, this will allow the tape to engage the sprocket easily.
 - a) Place a reel of tape onto the Reel Holder and feed the tape thru the natural path of the feeder.
 - b) Slide the tape into the Feeder Finger until it reaches the tip of the blade.
 - c) Use your index finger to guide the tip of the blade between the Cover Tape and Carrier Tape.
 - d) Use the Tape Push Tool provided to push the Tape using the sprocket holes.
 - e) Push the Tape with the Tool until the tape reaches the sprocket.
 - f) With the feeder NOT under power push the tape onto the sprocket.
 - g) Apply power and index the component to the pick window.
 - h) Place the feeder on your pick and place or feeder cart.

***Plastic Component tapes and tape with the cover tape sealed into the pocket area do not work with this product.**